

Top Shear Type Pneumatic Shear Knifeholder MT-A410

MT-A410 is the popular shear knife-holder in many slitting application. It equipped 90mm top blade for general shear slitting propose and characterized by two individual control valve of down stroke and side contact, not only independent control each valve but also continuous automatic action by one valve , more convenient and flexible for online operation. Beside the depth adjust screw provide adjustable down stroke to control overlap modularized component design has improved quality and reduce costs to offer a new knife-holder option.

MT-A410 offer a wide range of slitting material including plastic, paper, copper foil...etc., thickness under 0.4mm and slit width within 45mm application.

» Feature

- Min slitting width 45mm
- Self flow control
- Individual control valve
- Modularized design
- Depth adjustment
- Patent structure

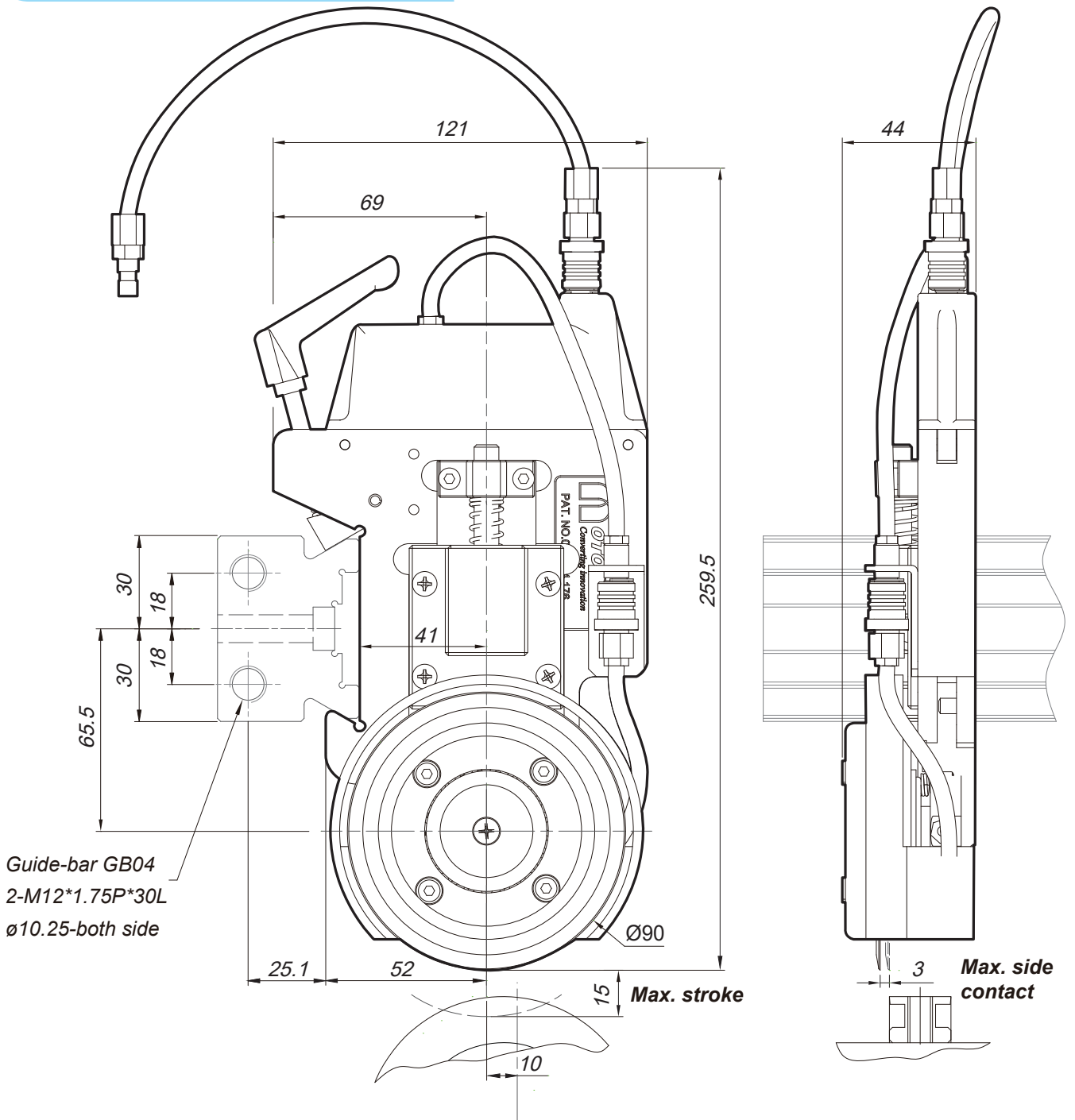
» Specification

- Min. slitting width : 45mm
- Max. slitting speed : 400M/min ⁽¹⁾
- Down stroke range : 0~15mm
- Side contact range : 0~3mm
- Top blade dia. : ø90mm
- Guide-bar : GB01/GB02/GB04

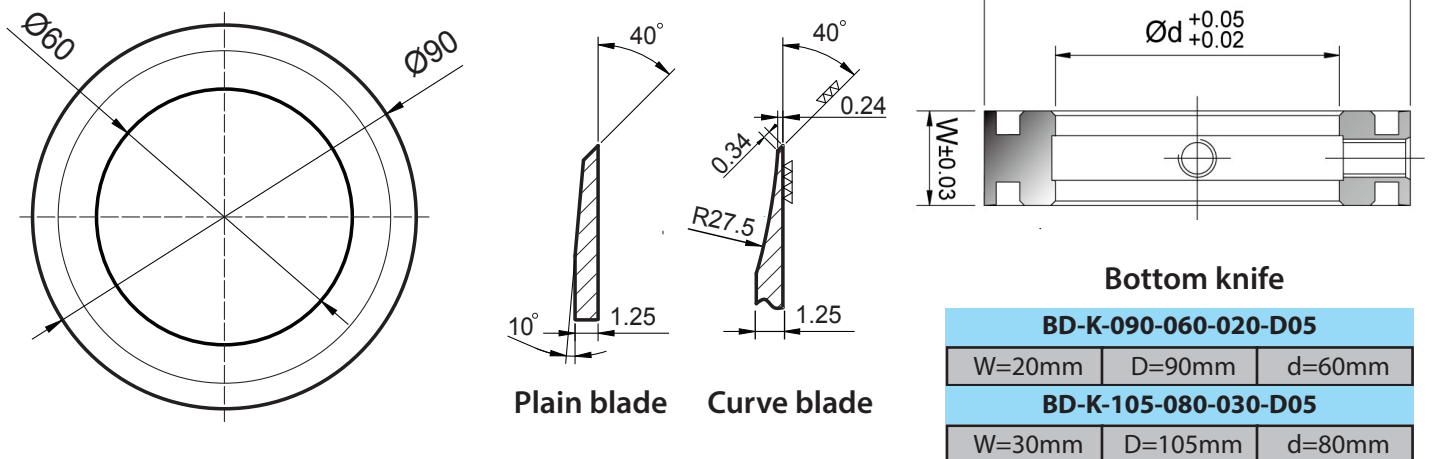
(1) Max slitting speed depends on different material and the condition will be changed.



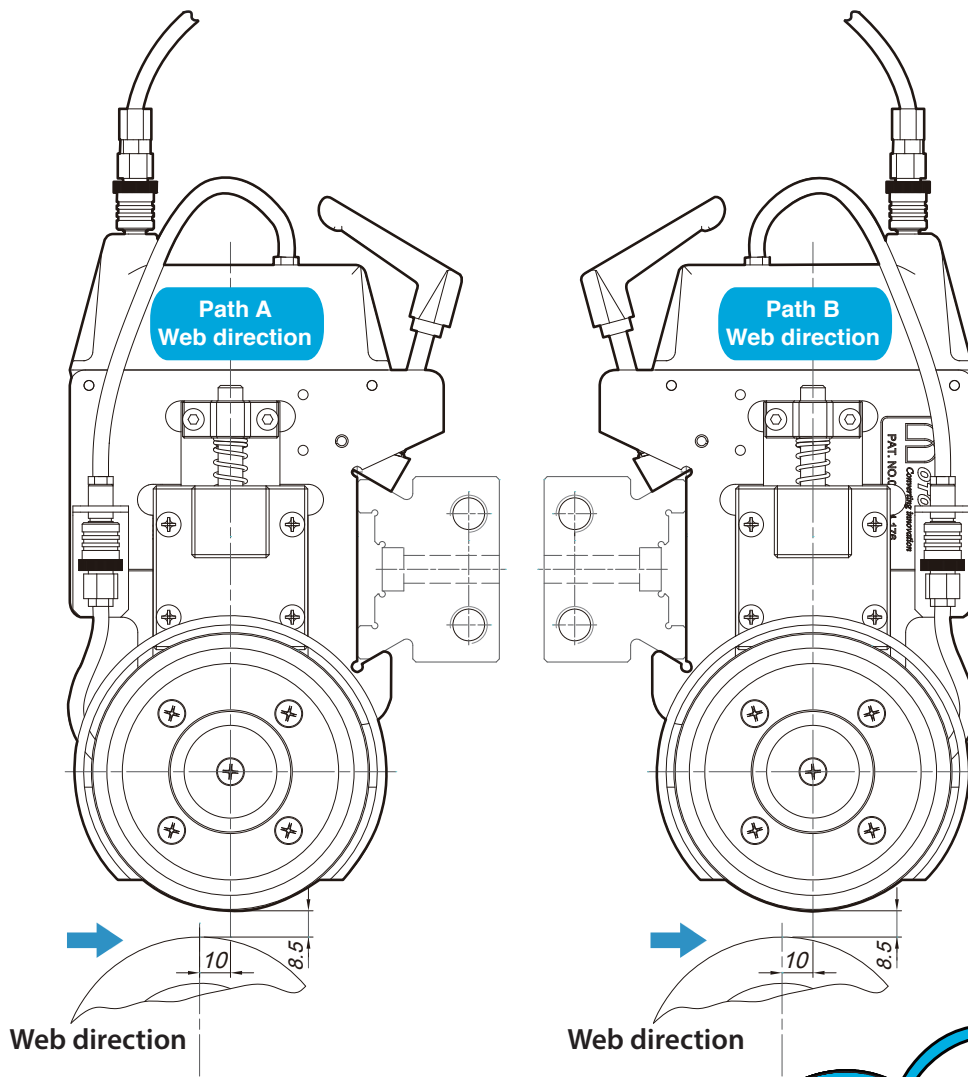
MT-A410 Dimension drawing



Blade dimension drawing



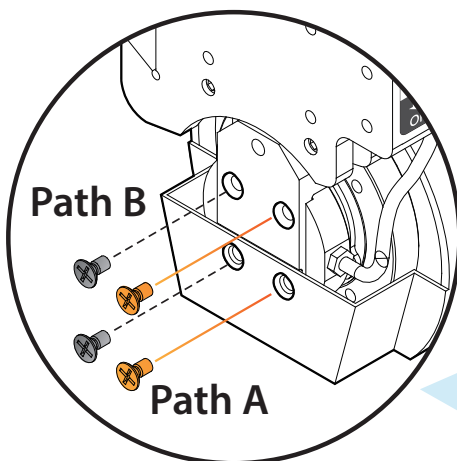
Different web path arrange



Different Web Path

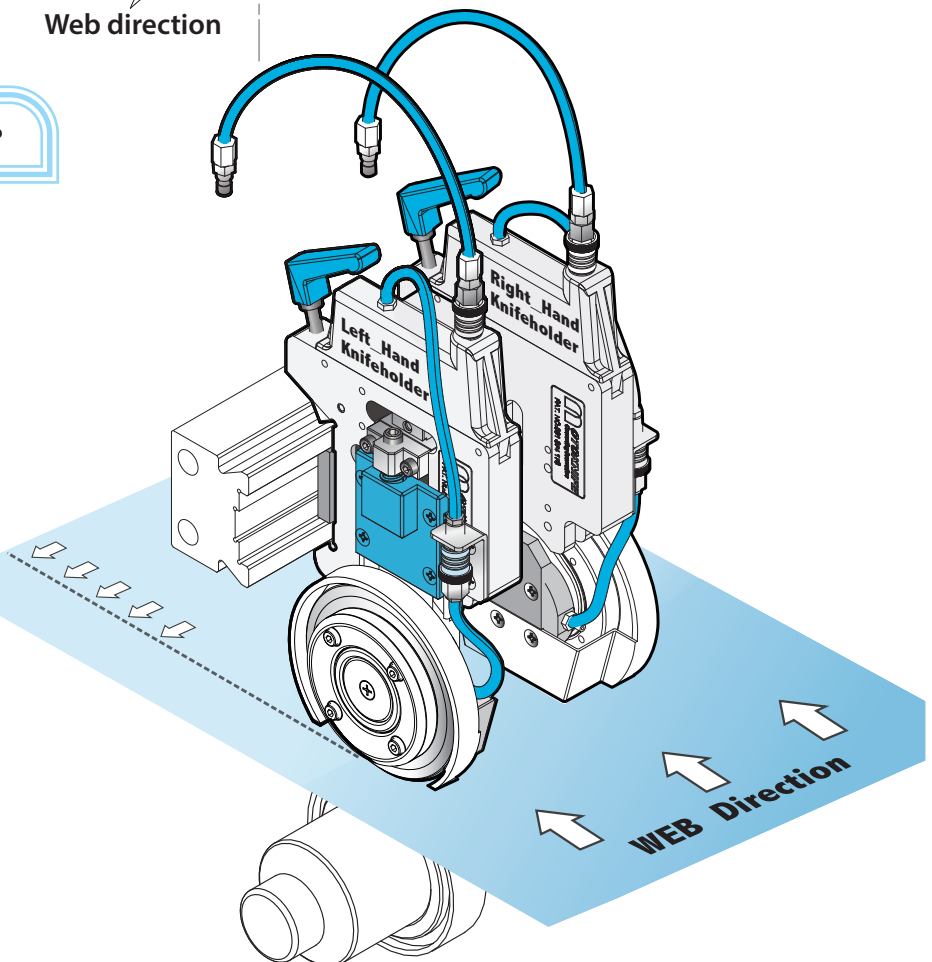
Easily changeable cant angle can is for different web path direction application, in order to obtain better slitting effect corrcet cant angle setup is very important!!

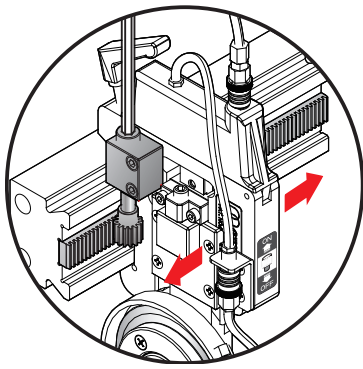
Knife-holder direction arrange



Cant angle adjust

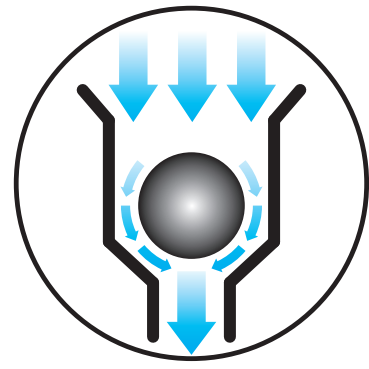
For different web path application now is more easily to adjust. Via screw thight A sets (golden color) or B sets (black color) screw to change different web path direction and to get better efficiency result.





Saving setting time

Using optional accessories gear and rack on guidebar to adjust knifeholder position ,make setting position easy and fast.

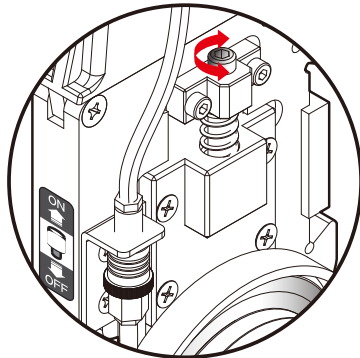
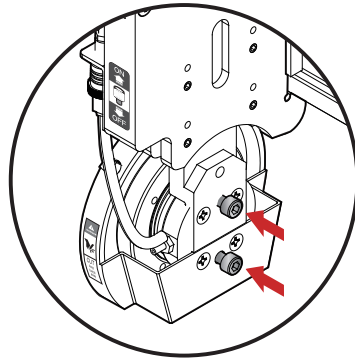


Internal air flow control

Patent design with internal air flow control, you can directly connect air source without air throttle valve and never worry too much air flow to damage blade!!

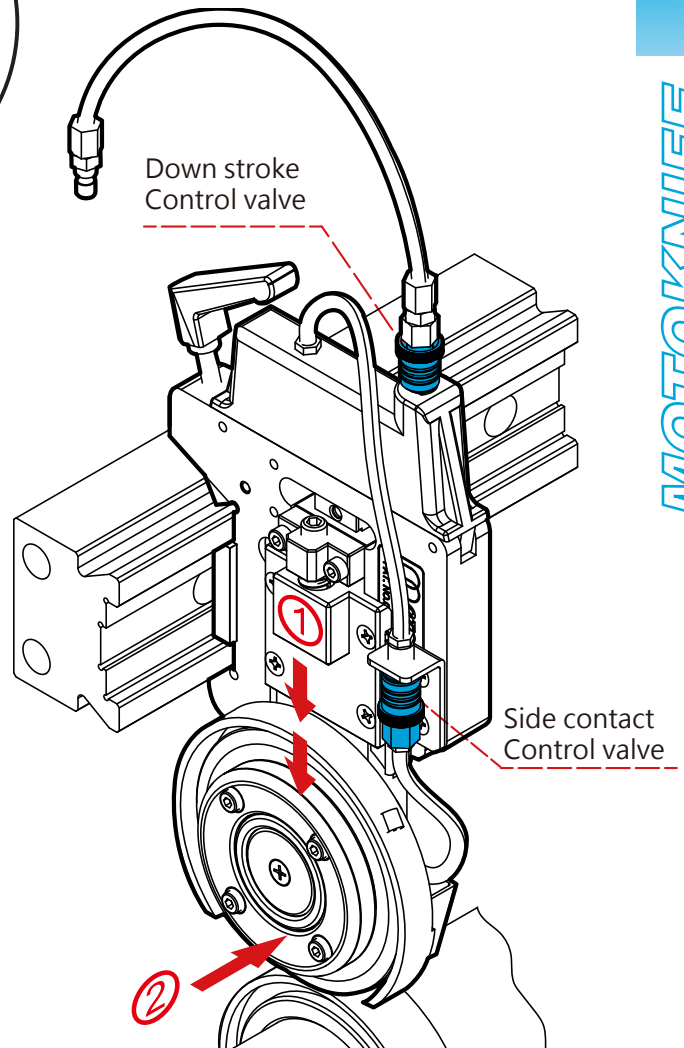
Side contact limit

Behind the bottom knife-holder have two screw can be adjust side contact stroke, proper side stroke setting will extend blade life time and getting better slitting edge.



Depth adjust

Using depth adjust screw can easily control down stroke overlap distance between top and bottom blade,it is helpful for overlap compensation when blade wear.



Slitting Products Available:

Various Papers	kraft paper, silicone paper, releasing paper,decoration wall paper, masking paper, adhesive paper,thick paper board, corrugated carton paper, sand paper.
Various Plastic films	flexible laminated films, soft & rigid PVC films,BOPP, PET, PE, PS, LDPE, PLA, SBS, various adhesive tape...etc.
Cloth & fabrics	non-woven cloth, synthetic leather, natural cotton, mesh cloth, medical cloth, label cloth...etc.
Metal films	copper foil, aluminum foil.

Individual valve control

More convenient for down stroke and side contact individual valve control, it can be operation under automatic action or separate when arrange position.

MT-A410
MOTOKNIFE



MOTO , TAIWAN
32652 No.65 Lane 155,Xinjiang Rd.,
Yangmei District, Taoyuan City ,Taiwan
TEL:+886-3-4753005
FAX:+886-3-4754797
E-mail:service@motoknife.com
http://www.motoknife.com

MOTO , CHINA
No.8 Zhang Jia Road, Huang Du Town,
JiaDing Area, Shanghai, China
TEL:+86-21-69596169
FAX:+86-21-69596163
E-mail:motokevin@126.com

